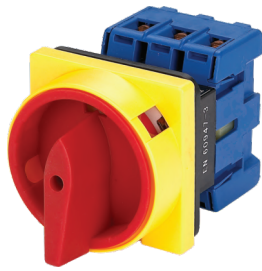
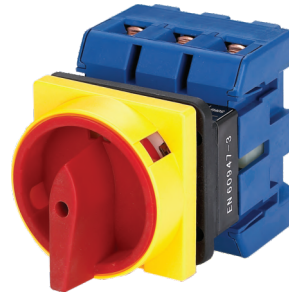


EKIS30-20、25、32



EKIS30-40、63



EKIS30-80、100

Introduction

- EKIS30 series Isolation switches applied to circuits of AC 50Hz with working voltage up to 440V and rated working current up to 100A.
- EKIS30 is suitable to control :air-conditioner, water pump and ventilating equipments, and AC Motors with small power.
- EKIS30 series rotary switches have 7 current ratings: 20A,25A,32A,40A,63A,80A,and 100A.
- EKIS30 series has the finger protection terminals, which offers an extra advantage.
- EKIS30 series switches has larger insulation distance, quick disconnecting response . And is a good choice For DC circuits, EKIS30 has additional contact which enable us to install the contact separately
- EKIS series rotary switches comply with :IEC60947-3.

Working conditions

- Ambient temperature Do Not exceed 40°C , and the average temperature, measured over a period of 24 hours , Do Not exceed 35°C
- Ambient temperature should not be below -25°C
- Should Not be installed over 2000m above sea level
- The humidity should not exceed 50% when the ambient temperature is 40°C and higher humidity is allowed for lower temperature.

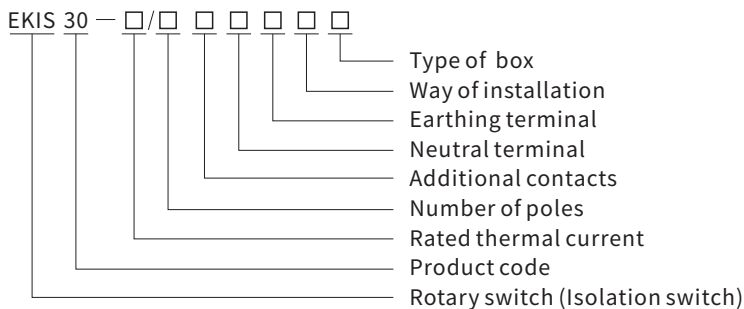
Installation conditions

- A clean environment is required
- Please follow our manual

Classification

- Classified by utilization
 - (1)AC-23A
 - (2)AC-3
- Classified by protective level
 - (1)Without plastic box :IP20
 - (2)With plastic box :IP65

Type Designation



Accessorial code

Number of poles :3P,4P

Additional contacts :0 for additional contacts not inclosed , 1 for with additional contacts

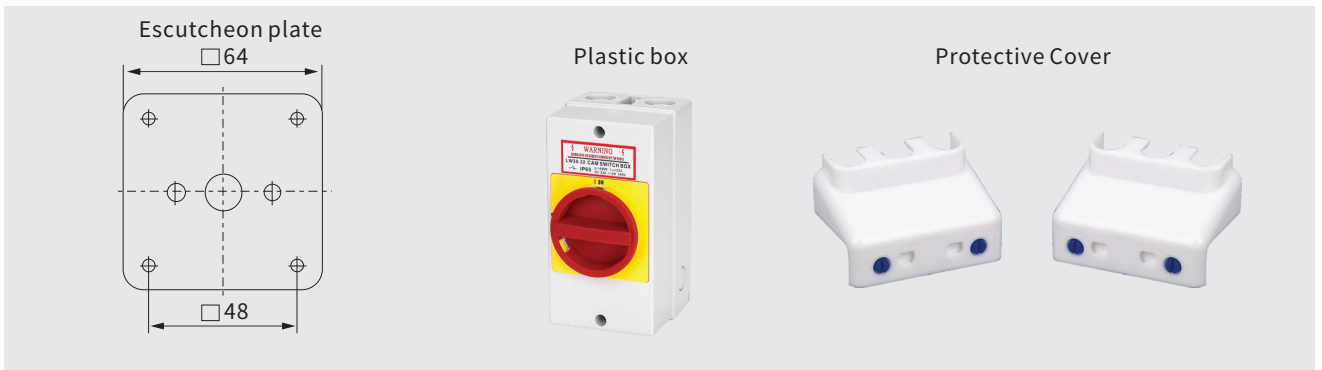
Neutral terminal:0 for neutral terminal not inclosed, 1 for with neutral terminal

Earthing terminal: 0 for earthing terminal not inclosed , 1 for with earthing terminal.

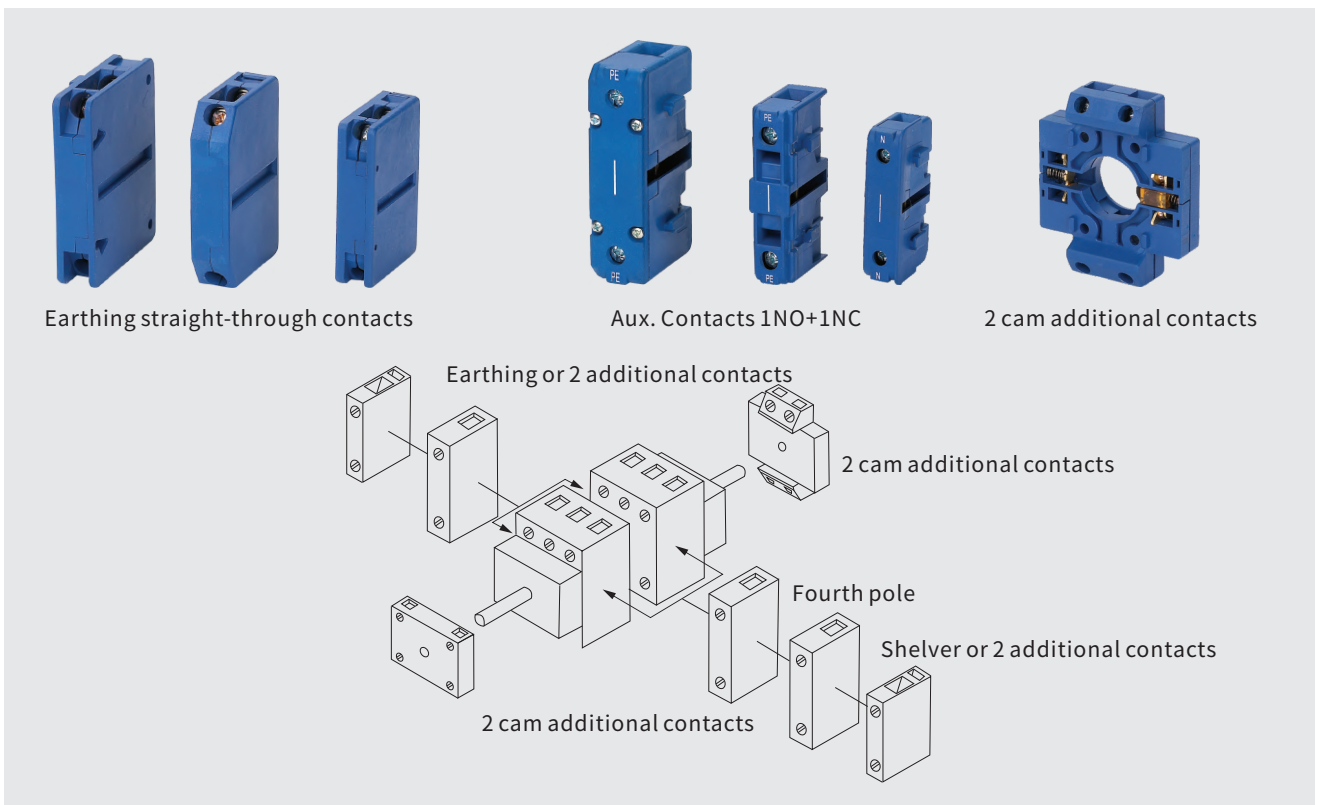
Installation

- 1.Pad-lock escutcheon plate
 - 2.Escutcheon plate
 - 3.Single lock parallel installation
 - 4.Doorlock safety switch with padlock system
 - 5.Single hold installation
- Type of box :0 without protective box , 1 with IP65 Plastic box

Accessories



Auxiliary contact & Optional accessories



Technical parameters

Description	EKIS30-25(20)		EKIS30-32		EKIS30-40		EKIS30-63		EKIS30-80		EKIS30-100	
Rated thermal current I _{th} A	I _{th}	A	25(20)	32	40	63	80	100				
Rated working voltage U _e V	U _e	V	240 440	240 440	240 440	240 440	240 440	240 440	240 440	240 440	240 440	240 440
Rated value I _e /P _e	I _e /P _e											
AC-21A		A/KW	20/- 20/-	32/- 32/-	40/- 40/-	63/- 63/-	80/- 80/-	100/- 100/-				
AC-22A		A/KW	20/- 20/-	32/- 32/-	40/- 40/-	63/- 63/-	80/- 80/-	100/- 100/-				
AC-23A		A/KW	15/4 15/7.5	22/5.5 22/11	30/7.5 30/15	43/11 43/22	57/18.5 57/30	70/22 70/37				
AC-3		A/KW	11.7/3 11.7/5.5	15/4 15/7.5	22/7.5 22/11	36/11 36/18.5	43/15 43/22	57/18.5 57/30				

- Current type: 50Hz AC
- Number of main contact: ON and OFF
- Frequency :8 hours per day, 30 times per hour
- Mechanism Life:10000 times/ AC-23, 6000 times/AC-3,2000 times for additional contact

Order Procedurer

When you order our EKIS30 series, We need your data as following

1. Rated working current, for example :EKIS30-20;
 2. Accessorial code , please write it orderly
- (1) Number of poles , for example:3P;
- (2) Do you need additional contacts: 0 not inclosed, 1 inclosed
- (3) Do you need neutral terminal: 0 not inclosed, 1 inclosed;
- (4) Do you need earthing terminal: 0 not inclosed ,1 inclosed;
- (5) Way of installation:
- 1.Escutcheon plate with pad-lock
 - 2.Escucheon plate
 - 3.Single lock parallel installation
 - 4.Doorlock safety switch with padlock system
 5. Single hole installation
- (6) Type of box: 0 not inclosed, 1inclosed.
3. Other accessorial code, please write it orderly
- (1) Type of Escutcheon plate: 1 Escutcheon plate;
- 2 Denote ϕ 22.5 hole;
 - 3 Denote ϕ 25 hole;
 - 4 Denote ϕ 30.5 hole.
- (2) Do you need Escutcheon plate with airproof: 0 Not incloesd it , 1 incloesn it
- (3) Colour of bottom plate: 1 Denote silver color; 2 Denote yellow; 3 Male it against your color
- (4) Character letter: 1 denote letter; 2 Chinese letter ; 3 Special sign

For Example

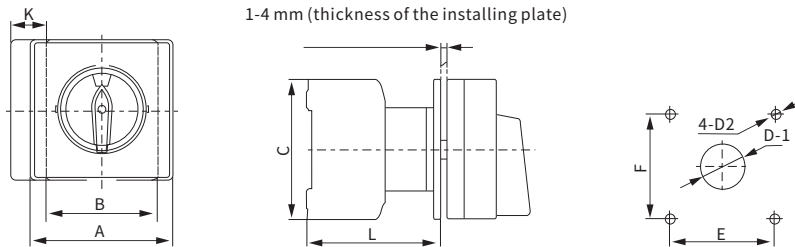
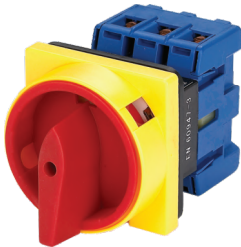
If you order 40A/3P with additional contacts and earthing ter-mina land Escutcheon plate without neutral terminal and plasticbox. You must write: EKIS30-40/310120

If you want to order 32A/3 with Doorlock safety switch, You must write: EKIS30-32/300040.

If you want to order 40A/3 with adding contacts, earthing terminal, Escutcheon plate, plate with airproof , Yellow, Chinese letter, K handle; without neutral terminal and plastic box. You must write: EKIS30-40/310120.1123.

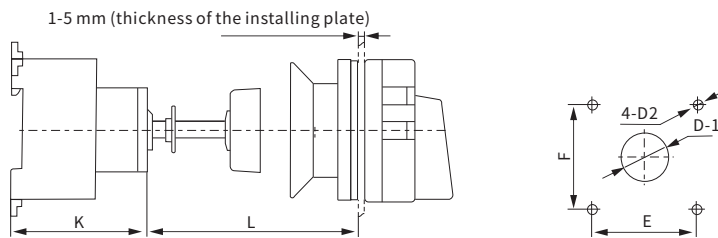
Dimensions and installation

Panel installation



Description	Dimensions(mm)					Installation(mm)			
	A	B	C	K	L	E	F	D1	D2
EKIS30-20	□64	42	54	13.5	61	48	48	φ10	φ4.2
EKIS30-25	□64	42	54	13.5	61	48	48	φ10	φ4.2
EKIS30-32	□64	42	54	13.5	61	48	48	φ10	φ4.2
EKIS30-40	□64	50	64	16	67	48	48	φ10	φ4.2
EKIS30-63	□64	50	64	16	67	48	48	φ10	φ4.2
EKIS30-80	□64	70	80	22.5	82	48	48	φ10	φ4.2
EKIS30-100	□64	70	80	22.5	82	48	48	φ10	φ4.2

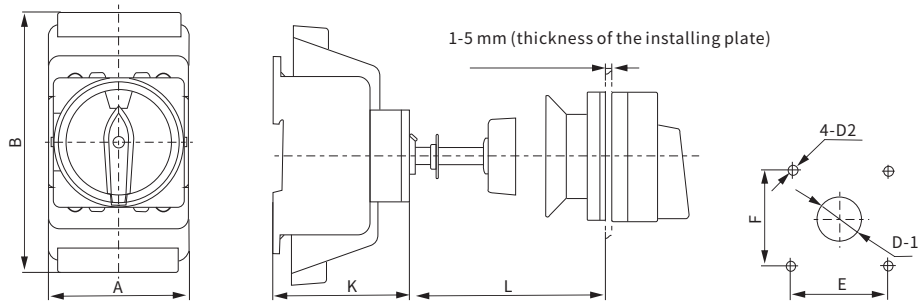
Installation of doorlock safety switch



Description	Dimensions(mm)			Installation(mm)			
	K	L min	L max	E	F	D1	D2
EKIS30-20	50	32	150	48	48	φ22	φ4.2
EKIS30-25	50	32	150	48	48	φ22	φ4.2
EKIS30-32	50	32	150	48	48	φ22	φ4.2
EKIS30-40	61	32	150	48	48	φ22	φ4.2
EKIS30-63	61	32	150	48	48	φ22	φ4.2
EKIS30-80	68	32	150	48	48	φ22	φ4.2
EKIS30-100	68	32	150	48	48	φ22	φ4.2

Re: Product can be installed in 35 mm Din-rail

Protective cover



Description	Dimensions(mm)					Installation(mm)			
	A	B	K	L min	L max	E	F	D1	D2
EKIS30-80	70	133	68	32	150	48	48	φ22	φ4.2
EKIS30-100	70	133	68	32	150	48	48	φ22	φ4.2



EKIS30-20、25、32

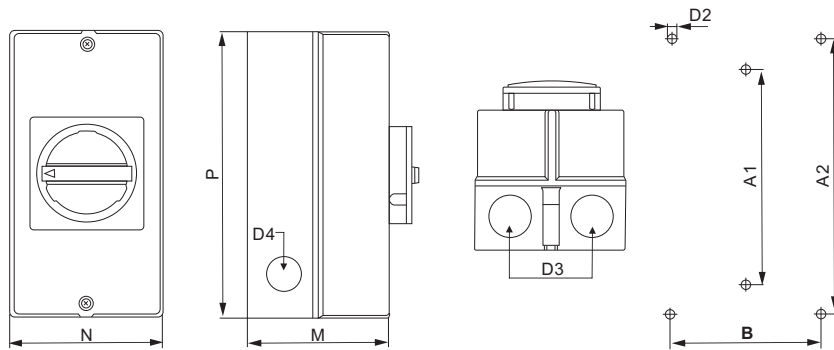


EKIS30-40、63



EKIS30-80、100

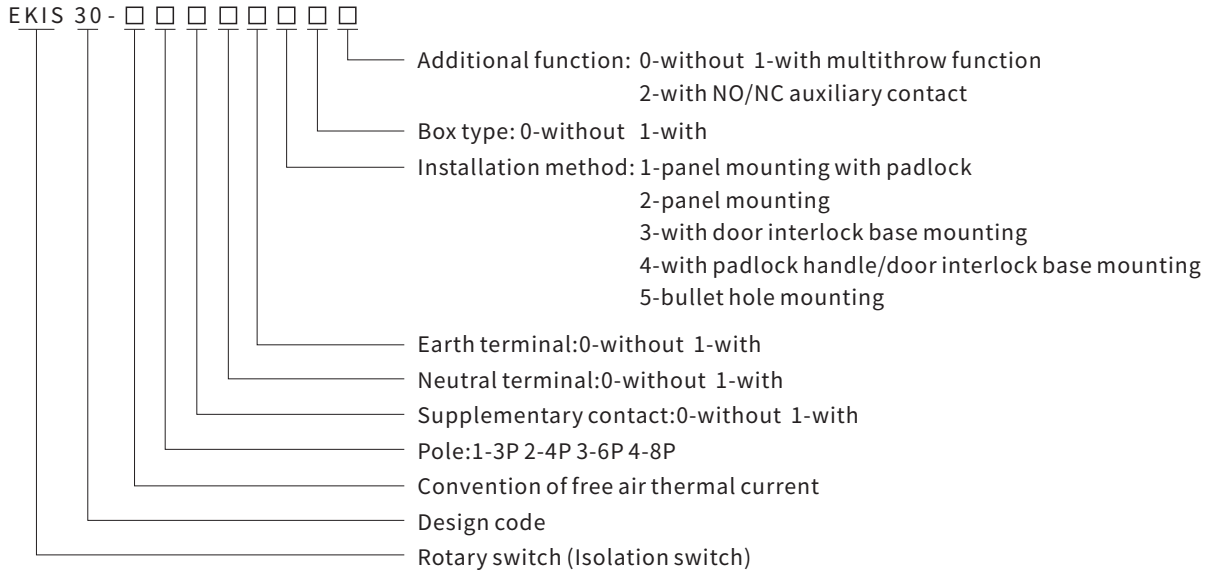
Plastic box (IP65)



Description	Dimensions(mm)					Installation(mm)			
	D3	D4	M	N	P	A1	A2	B	D2
EKIS30-20	φ 23	φ 19	85	83	160	150	--	--	φ 4.2
EKIS30-25	φ 23	φ 19	85	83	160	150	--	--	φ 4.2
EKIS30-32	φ 23	φ 19	85	83	160	150	--	--	φ 4.2
EKIS30-40	φ 29	φ 23	100	95	190	178	--	--	φ 4.2
EKIS30-63	φ 29	φ 23	100	95	190	178	--	--	φ 4.2
EKIS30-80	φ 37.5	φ 23	144	105	250	--	229	124	φ 6.5
EKIS30-100	φ 37.5	φ 23	144	105	250	--	229	124	φ 6.5

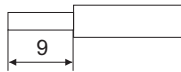
PV DC TYPE

Designation

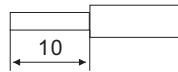


Stripping length

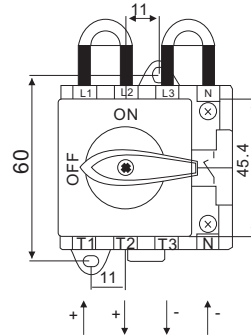
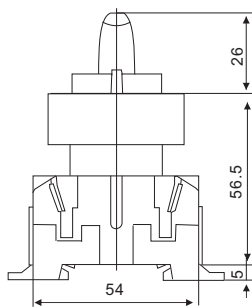
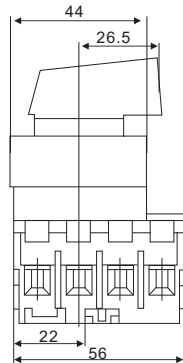
EKIS30-20
EKIS30-32



EKIS30-40



4pole DC



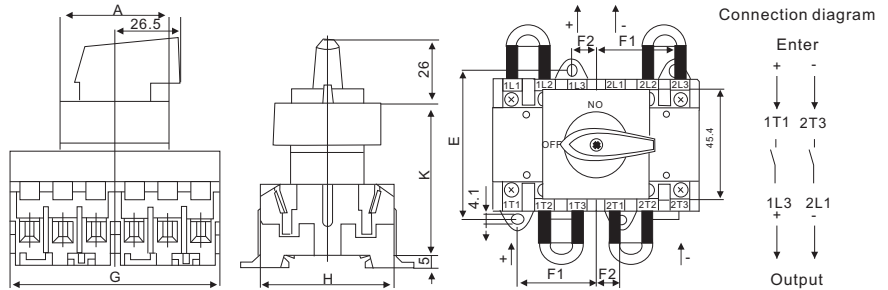
Connection diagram



Description	Working current	Working voltage(DC)	MAX PV load voltage(DC)	Insulation voltage	Connection wire diameter(mm)
EKIS30-20	16A	450V	520V	690V	φ 2.5
EKIS30-32	25A	450V	520V	690V	φ 4
EKIS30-40	32A	450V	520V	690V	φ 4.5
EKIS30-20	12A	500V	575V	690V	φ 2.5
EKIS30-32	20A	500V	575V	690V	φ 4

PV DC TYPE

6pole DC

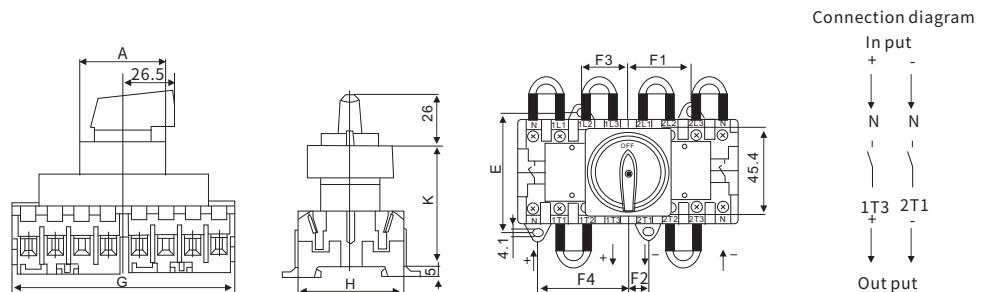


Description	A	E	F1	F2	G	H	K
EKIS30-20/32	44	60	32	10	84	54	64
EKIS30-40	105.4	70	37.5	12.5	100	64	62.5

Description	Working current	Working voltage(DC)	MAX PV load voltage(DC)	Insulation voltage	Connection wire diameter(mm)
EKIS30-20	16A	650V	750V	1000V	φ 2.5
EKIS30-32	32A	500V	575V	1000V	φ 4
EKIS30-40	32A	650V	750V	1000V	φ 4.5
EKIS30-20	12A	800V	920V	1000V	φ 2.5
EKIS30-32	25A	650V	750V	1000V	φ 4

Use category: DC-22A

8 pole DC



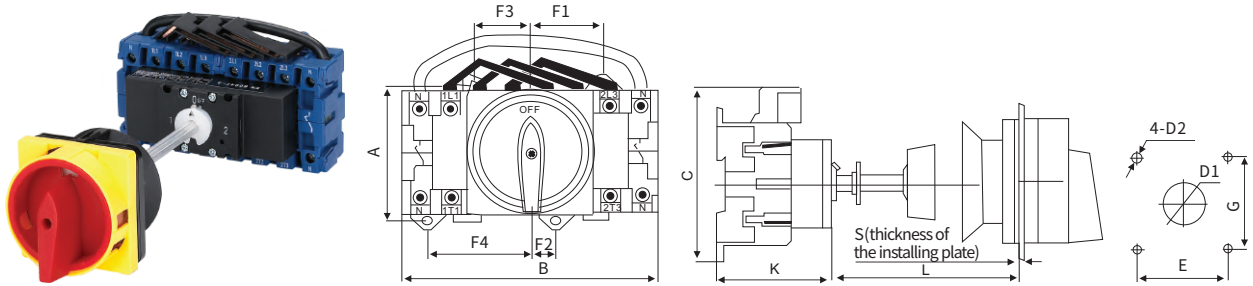
Description	A	E	F1	F2	F3	F4	G	H	K
EKIS30-20/32	44	60	32	10	24	46	111	54	64
EKIS30-40	105.4	70	37.5	12.5	28.5	53.5	132	64	62.5

Description	Working current	Working voltage(DC)	MAX PV load voltage(DC)	Insulation voltage	Connection wire diameter(mm)
EKIS30-20	16A	800V	920V	1000V	φ 2.5
EKIS30-32	32A	800V	920V	1000V	φ 4
EKIS30-40	32A	800V	920V	1000V	φ 4.5

Use category: DC-22A

PV DC TYPE

8 pole DC



Description	Dimensions(mm)										Installation(mm)			
	A	B	C	K	F1	F2	F3	F4	L	S	E	G	D1	D2
EKIS30-20	60	111	78	50.5	32	10	24	46	32~150	1~5	48	48	22	4.5
EKIS30-25	60	111	78	50.5	32	10	24	46	32~150	1~5	48	48	22	4.5
EKIS30-32	60	111	78	50.5	32	10	24	46	32~150	1~5	48	48	22	4.5
EKIS30-40	70	132	90	61	37.5	12.5	28.5	53.5	32~150	1~5	48	48	22	4.5
EKIS30-63	70	132	90	61	37.5	12.5	28.5	53.5	32~150	1~5	48	48	22	4.5

Description	Working current	Working voltage(DC)	MAX PV load voltage(DC)	Insulation voltage	Connection wire diameter(mm)
EKIS30-20	16A	800V	920V	1000V	φ 2.5
EKIS30-32	32A	800V	920V	1000V	φ 4
EKIS30-40	32A	800V	920V	1000V	φ 4.5

Use category: DC-22A